

PARTS LEGEND

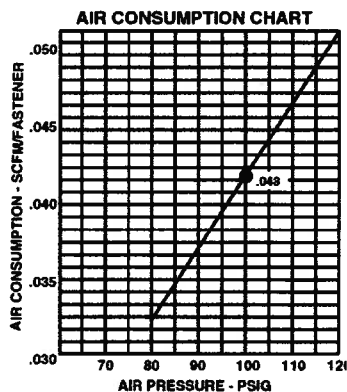
T250S-F16, 501680

1	501885	1	T.H.S.C.S. 1/4-20 x 1/2	45	501092	1	Dust Cover
2	501896	1	Flat Washer	46	501972	2	Bolt
3	501899	1	Deflector	47	501091	1	Air Plug
4	501901	1	Bolt	48	501939	1	Belt Hook
5	501902	1	Cap	49	501938	2	Hex S.H.C.S.
6	501903	1	Seal	50	501998	1	Spring Pin
7	501904	1	Spring, Main Valve	51	501931	1	Spring Pin
*8	501905	2	O-Ring	52	501089	1	Urethane Retainer
9	501906	1	Head Valve Piston	53	501963	1	Steel Channel
*10	501907	1	O-Ring	54	501966	1	Safety B
11	501908	1	Collar	55	501967	1	Safety Spring
*12	501909	1	Packing	56	501968	1	E-Ring
*13	501910	1	Piston Ring	57	501969	1	Adjust Shaft
*14	501911	1	O-Ring	58	501387	1	Spring
*15	501912	1	Driver Blade	59	501970	1	Safety A
16	501920	1	Cylinder Press Ring	60	501971	1	No Mar Tip
17	501913	1	O-Ring	61	501951	1	Latch Cover
18	501914	1	Cylinder	62	501950	2	Spiral Pin
19	501915	1	Cylinder Ring	63	501949	1	Front Latch Handle
20	501916	1	Cylinder Spacer	64	501948	1	Front Latch
21	501917	1	O-Ring	65	501947	1	Driver Guide Cover
*22	501918	1	Bumper	66	501946	1	Spiral Pin
23	501919	1	Driver Guide	67	501940	2	Hex Soc.Hd.Bolt
*24	501921	1	O-Ring	68	501941	1	Driver Guide Cover B
*25	501922	1	O-Ring	69	501942	1	Driver Guide
26	501923	1	Plunger Cap	70	501943	1	Stopper Finger Spring
27	501930	2	Spring Pin	71	501944	1	Stopper
28	501924	1	Valve Plunger	72	501945	1	Fixed Pin
*29	501925	2	O-Ring	73	501953	1	Pusher Spring
*30	501926	1	O-Ring	74	501954	1	Pusher
31	501927	1	Spring	75	501955	1	Spring Pin
32	501928	1	Plunger	76	501952	1	Anchor Block
33	500999	2	O-Ring	77	501956	1	Negator Spring
34	501929	1	Trigger Valve Head	*78	501960	1	Magazine Steel Cover
35	501932	1	Spring	79	501961	1	Counter Sunk Screw
36	501933	1	Trigger Unit	80	501959	1	Tap Bolt
37	501965	2	Tap Bolt	81	501958	1	Protecting Hood Cover
38	501962	1	Lock Nut	82	501962	1	Lock Nut
39	501964	1	Magazine B	83	501957	1	Magazine A
40	501961	1	Counter Sunk Screw	84	501973	1	Nameplate
41	501934	1	Trigger Pivot Pin	85	501302	1	Warning Label
42	501935	1	Housing	**86	501140	1	Housing Label-left
43	501936	1	O-Ring	87	501141	1	Housing Label-right
44	501937	1	End Cap	88	501995	1	Tap Bolt

* Denotes Normal Wear Items.

** Make sure Warning Label (501302) is properly affixed. Replace if necessary.

Label available at no charge through the Service Parts Dept.



SAFETY INSTRUCTIONS

WEAR EYE AND HEARING PROTECTION

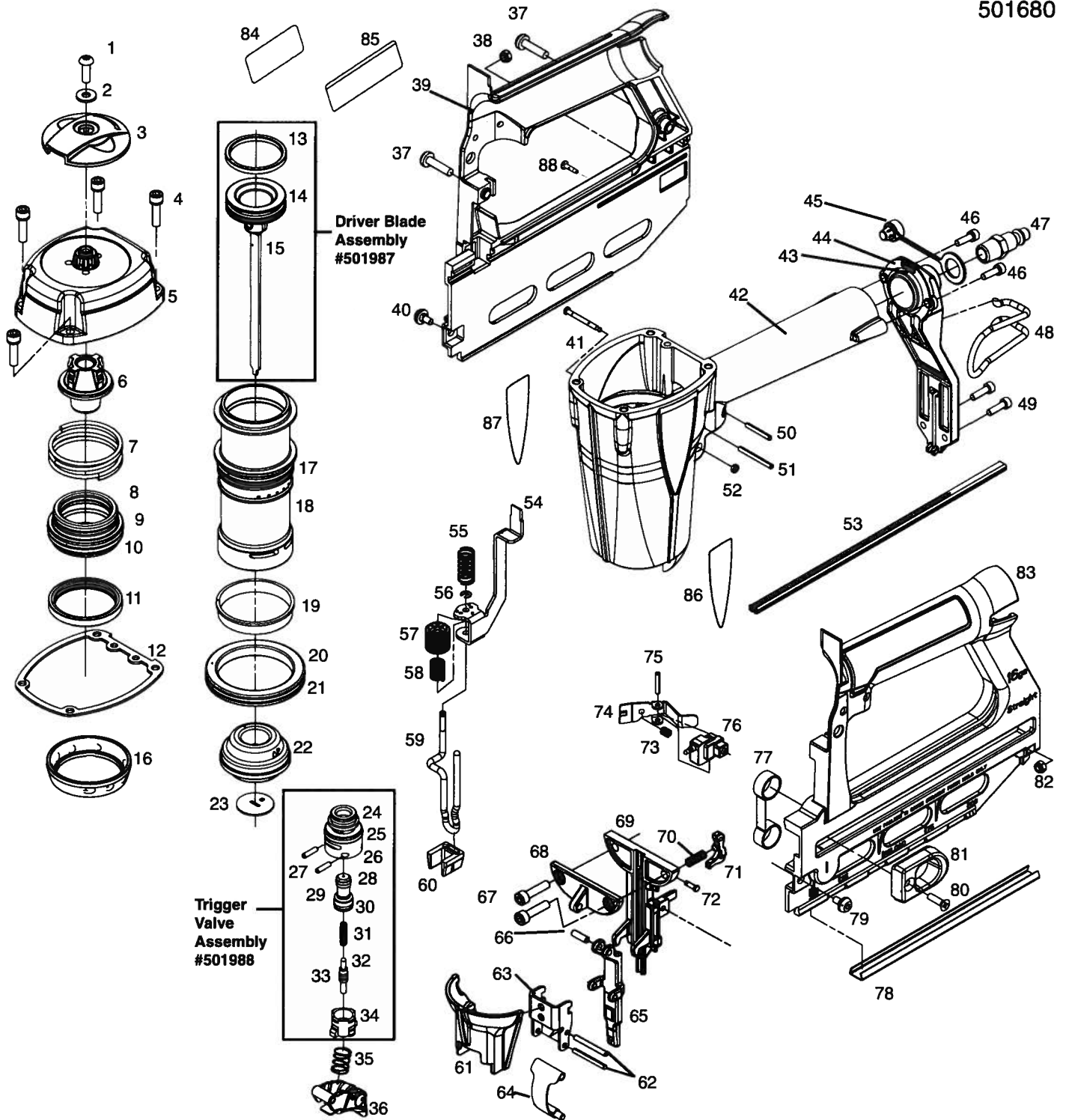
Always wear hearing protection and eye protection devices, including side shields when operating or working in the vicinity of a tool.

DO NOT EXCEED MAXIMUM RECOMMENDED AIR PRESSURE

Operate the tool using only the recommended air pressure. Do not exceed the maximum air pressure marked on the tool. Be sure the air pressure gauge is operating properly and check it at least twice a day.

Never use any bottled air or gases such as oxygen to operate the tool since they could cause the tool to explode.





Assembly Hardware System - Metric

⚠ WARNING
All parts must be periodically inspected and replaced if worn or broken. Failure to do this can affect the tool's operation and present a safety hazard.

ACCESSORIES

Lubricants

Lubricating Oil 16 oz.

Part No. 403720

Lubricating Oil with Antifreeze 8 oz.

Part No. 219090

Chemplex 710 Lubricant 1lb.

Part No. 403734

Tool Cleaner

Ideal cleaner for all Paslode tools.

Part No. 219348

Safety Glasses

Clear



Part No. 401382

Tool Case

Handy carrying case that conveniently stores your tool with room for additional accessories.

Part No. 501978



An Illinois Tool Works Company
888 Forest Edge Drive
Vernon Hills, Illinois 60061-8117