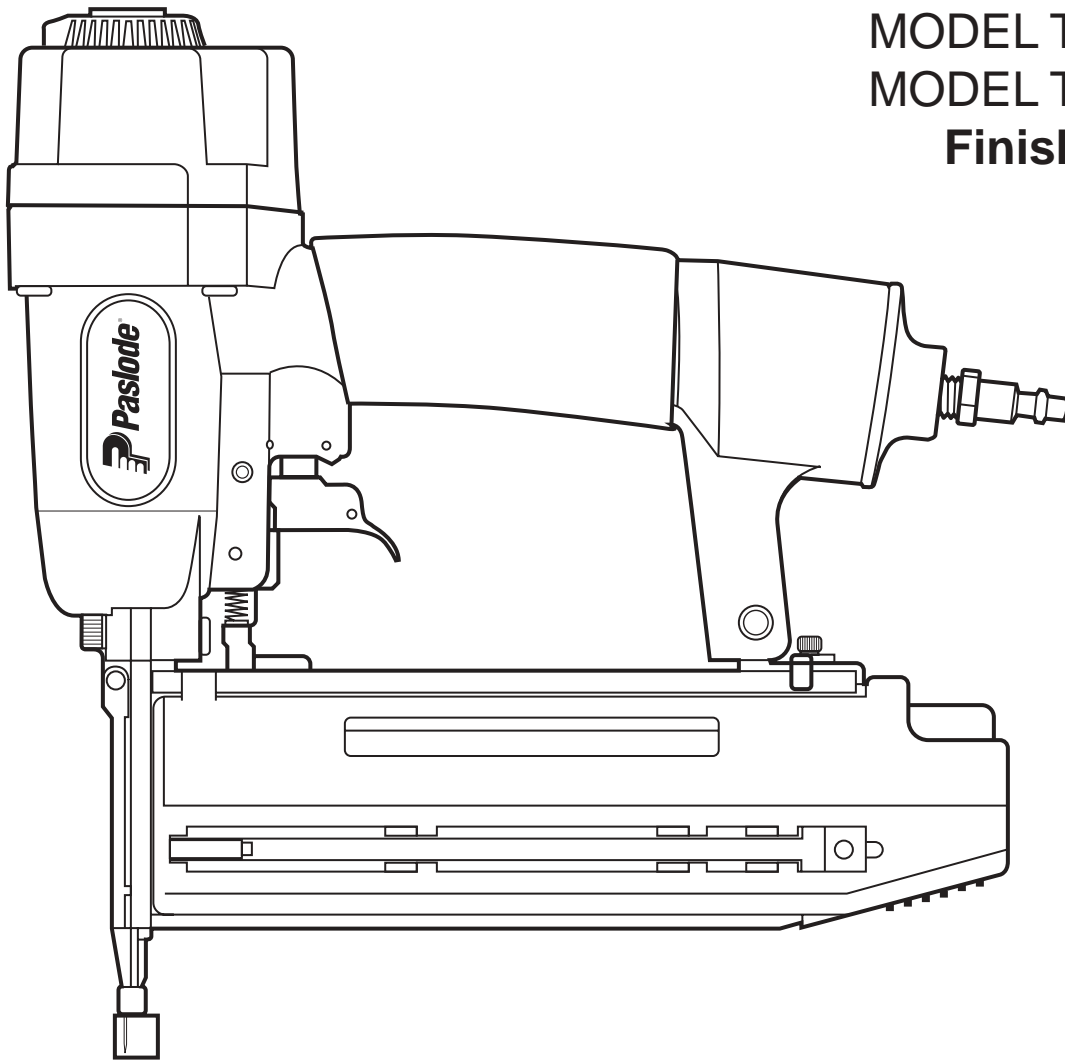




MODEL T200-F18
MODEL T125-F18
Finish Nailers



IMPORTANT!
DO NOT DESTROY

It is the customer's responsibility to have all operators and service personnel read and understand this manual.

**OPERATING MANUAL AND
SCHEMATIC**

PARTS LEGEND

T200-F18, 500959

T125-F18, 501161

1	500976	1	Deflector	45	501102	1	Stop
2	500977	4	Bolt w/ Flat Washer	46	501103	1	Bracket (T200)
3	500978	1	Hex Soc. Hd. Screw		501187	1	Bracket (T125)
4	500979	1	Cap (T200)	47	501104	1	Follower (T200)
	501170	1	Cap (T125)		501181	1	Follower (T125)
5	500980	1	Seal	48	501105	1	Shaft
6	500981	1	Compression Spring	49	501106	1	Follower Spring (T200)
* 7	500982	1	O-Ring		501183	1	Follower Spring (T125)
* 8	500983	1	O-Ring	50	501107	1	Moveable Magazine (T200)
* 9	500984	1	Head Valve Piston		501182	1	Moveable Magazine (T125)
10	500985	1	O-Ring	51	501108	1	Spring Cover
11	500986	1	Gasket, Cap	52	501109	1	Latch (T200)
12	500987	1	Piston Ring		501184	1	Latch (T125)
* 13	500988	1	O-Ring	53	501110	1	Latch Pin (T200)
* 14	500989	1	Piston Assembly (T200)		501185	1	Latch Pin (T125)
	501171	1	Piston Assembly (T125)	54	501111	1	Lock Spring
15	500990	1	Cylinder (T200)	55	501112	1	Latch Cover (T200)
	501172	1	Cylinder (T125)		501186	1	Latch Cover (T125)
16	500991	1	O-Ring	56	501113	2	Tap Bolt
* 17	500992	1	Cylinder Ring	57	501191	1	W.C.E. Guide
18	500993	1	Bumper	58	501115	1	Roll Pin
19	500994	1	Driver Guide (T200)	59	501192	1	W.C.E. Spring
	501173	1	Driver Guide (T125)	60	501193	1	Upper W.C.E.
20	500995	1	O-Ring	61	501174	1	E-Ring
21	500996	1	Trigger Valve Head	62	501175	1	Interm. W.C.E. (T200)
22	500997	1	Spring		501195	1	Interm. W.C.E. (T125)
23	500998	1	Plunger	63	501120	1	Lower W.C.E. (T200)
→ 24	500999	1	O-Ring		501196	1	Lower W.C.E. (T125)
25	501082	1	O-Ring	64	501121	1	Protective Tip
26	501083	1	Plunger Cap	65	501122	1	Anchor Block
27	501084	2	Roll Pin	66	501123	1	Magazine Spacer
→ 28	501384	1	Trigger Lever	67	501124	1	Lock Spring
→ 29	501385	1	Trigger	68	501125	1	Latch
→ 30	501386	1	Roll Pin	69	501126	1	Flat Washer
31	501088	1	Trigger Pivot Pin	70	501127	1	Hex Soc Hd Bolt
32	501089	2	Urethane Retainer	71	501128	1	Bolt Assembly
33	501090	1	Housing Assembly	72	501188	1	W.C.E. Stop
34	501091	1	Air Plug	73	501130	1	Hex Soc Hd Bolt
35	501092	1	Dust Cover	74	501131	1	Lock Nut
36	501093	2	Bolt Assembly (T200)	75	500492	1	Warning Label (T200)
	501176	2	Bolt Assembly (T125)		501197	1	Warning Label (T125)
37	501094	1	Front Cover	76	501134	1	Magazine Label (T200)
38	501095	1	Front Guide (T200)		501198	1	Magazine Label (T125)
	501177	1	Front Guide (T125)	77	501135	2	Housing Label
39	501096	1	Fixed Pin	78	501189	1	Hex Socket Button Hd Bolt
40	501097	1	Hex Soc Hd Bolt	79	501190	1	Stop
41	501098	1	Back Plate (T200)	80	501194	1	Adjuster
	501178	1	Back Plate (T125)	81	501271	1	O-Ring
42	501099	1	Fixed Magazine (T200)	82	501272	1	End Cap
	501179	1	Fixed Magazine (T125)	83	501273	1	O-Ring
43	501100	1	Flat Bar (T200)	→ 84	219260	1	Insert, Long
	501180	1	Flat Bar (T125)	→ 85	219261	1	Insert, Short
44	501101	2	Bolt Assembly	→ 86	501387	1	Trigger Spring

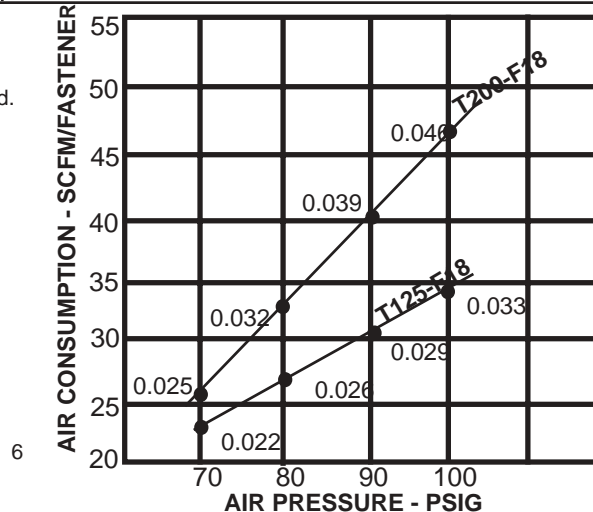
* Denotes Normal Wear Items.

** Make sure Warning Label (500492 or 501197) is properly affixed. Replace if necessary.

Label available at no charge through the Service Parts Dept.

▲ Apply Loctite 242 (Blue) Part No. 093500.

→ Denotes Change

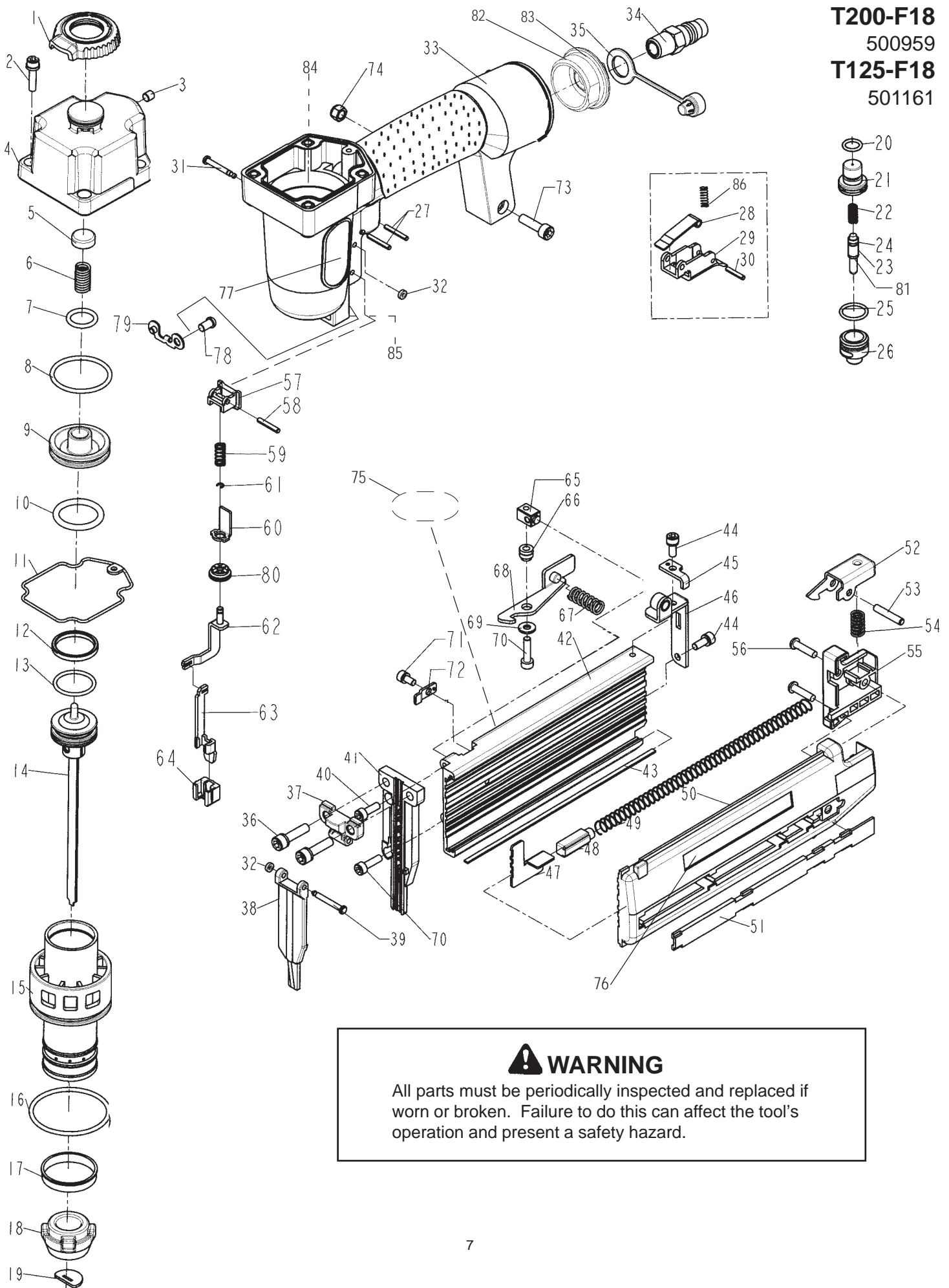


T200-F18

500959

T125-F18

501161



⚠ WARNING
All parts must be periodically inspected and replaced if worn or broken. Failure to do this can affect the tool's operation and present a safety hazard.