

CS150 FEATURES & BENEFITS

Quick Clear Nose

Easy access to clear jams.

Adjustable Depth of Drive

Provides precise control of staple depth without adjusting the compressor.

Directable Exhaust Cap

Can be rotated to direct exhaust away from operator

Switchable Trigger

Switches from sequential to bounce drive.

Versatility

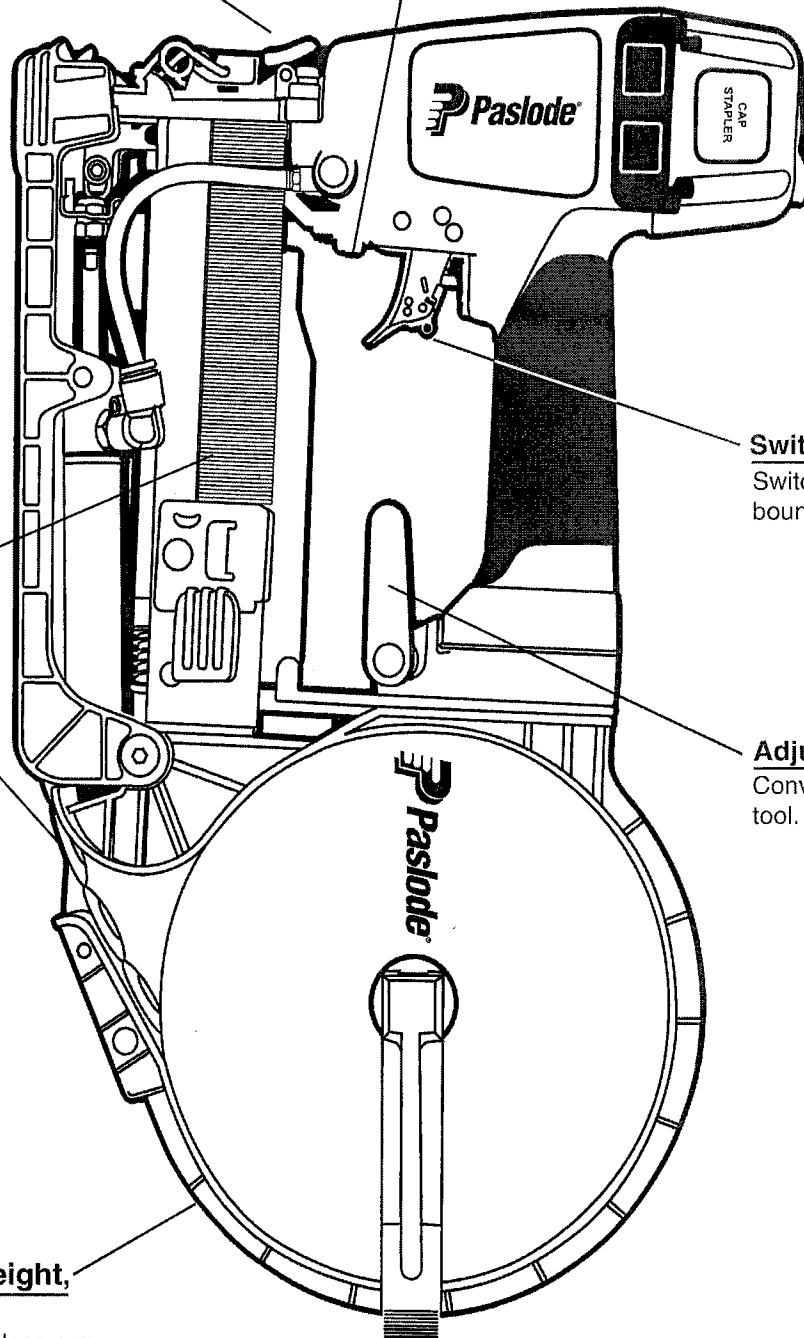
Can drive staples only, or with caps.

Adjustable Belt Hook

Conveniently stows the tool.

Balanced, Light weight, In-Line Design

Easy to maneuver with less arm fatigue.



PARTS LEGEND

CS150, 502575

1	502576	1	Nyloc screw M4*8	65	502637	1	Trigger Guide
2	502577	1	Washer 12*5*1	66	502638	1	Trigger
3	502578	1	Exhaust Cover	67	502639	1	Pin
* 4	502579	1	O-Ring 8*2.5	68	502640	1	Safety Guide Plate
5	502580	2	Cover, Grip	69	502641	1	Safety Adjustment Wheel
6	502581	2	Cap Guard	70	502642	1	Container Pin
7	502582	4	Screw Set M4*25	71	502643	1	Spring
8	502583	4	Screw M4*25	72	502644	1	Container
9	590042	4	Washer #4*1T	73	502645	1	Spacer
10	502584	1	Cap, Top	74	502646	1	Container Latch
* 11	502585	1	O-Ring 15*2.5	75	502647	1	Pin '4*20
12	502586	1	Seal, Air	76	502648	1	Screw Set M5*22
13	502587	1	Gasket	77	590001	2	Screw M5*22
14	502588	1	Spring	78	590002	2	Washer #5*1.2T
15	502589	1	Firing Valve Piston Set	79	502649	1	Spacer
* 16	502590	1	O-Ring 33.5*2.5	80	502650	1	Screw
17	502591	1	Firing Valve Piston	81	502651	1	Spring 5.4*26.5L
* 18	502592	2	O-Ring 26.59*2.95	82	502652	1	Release Catch
19	502593	1	Piston Stopper	83	502653	1	E-Ring\ M+2A3704
20	502594	1	Piston Unit	84	502654	1	Magazine Cover
* 21	502595	1	O-Ring 22.4*3.3	85	502655	1	Magazine Cover Spacer
22	502596	1	Piston Set	86	502656	1	Spring
23	502597	1	Piston Head	87	502657	1	Screw M4*28
24	502598	1	Driver Blade	88	590130	2	Nylon Nut M6
* 25	502599	1	Driver Blade	89	502658	1	Outlet Site Cover Set
26	502600	1	Sleeve Retainer	90	502659	1	Stopper
27	502601	1	Cylinder Sleeve	91	502660	1	Spring Pin 3*28
* 28	502602	1	O-Ring 32*2.5	92	502661	1	Outlet Site Cover
29	502603	1	Spacer	93	502662	1	Outlet Site Catch Assy.
* 30	502604	1	O-Ring 44.8* 2.6	94	502663	1	Outlet Site
* 31	502605	1	Bumper	95	502664	1	Magazine
32	502606	1	Nozzle Washer	96	590028	2	E-Ring '2.5
33	502607	1	Handle Grip	97	502665	1	Spring Set
34	502608	1	Trigger Pin	98	502666	1	Nylock Screw M4*10
35	502609	1	Body	99	502667	1	B.H.C.S. M4*4
36	502610	2	Pin Retainer '5.5*2	100	502668	1	Pusher
37	502611	1	Gasket	101	502669	1	Pusher Grip
38	502612	1	Washer '12.5*1.6T	102	502670	1	Compression Spring
39	502613	1	Tail Cover	103	502671	1	Lock Pin
40	502614	1	Air Plug	104	502672	1	B.H.C.S. Screw M6*50
41	502615	1	Belt Hook	105	502673	4	Screw M4*10
42	590055	1	Screw M5*20	106	502674	1	Pusher
* 43	502616	1	O-Ring 2.5*1.5 (Blue)	107	502675	1	Cylinder Set
44	590043	1	Screw M4*8	108	502676	1	Black Hose
45	502617	1	FW Air Plug	109	502677	1	SPL601 Air Plug
46	502618	1	Control Valve Rod Set	110	502678	1	Pusher Grip
47	502619	1	Label	111	502670	1	Nylon Nut M4
* 48	502620	2	O-Ring 5.8*1.9	112	502679	1	Tray
49	502621	1	Control Valve Rod	113	502680	1	Wear Pad
50	502622	1	Support	114	502681	1	Nylock Screw M4*12
51	502623	4	Screw M4*30	115	502682	1	F.H.C. Screw M3*12
52	502624	1	Trigger Valve Set	116	502684	1	Outer Spring Pin 4*10
53	502625	1	O-Ring 8*1.8	117	502685	1	Inner Spring Pin 2.5*10
54	502626	1	Trigger Valve Head	118	590148	1	Hex Nut M6
55	502627	1	Spring	119	502686	1	Spacer
56	502628	2	O-Ring 2.6*1.2	120	502687	1	Spring
57	502629	1	Trigger Valve Stem	121	502688	1	Wheel
* 58	502630	1	O-Ring 12.5*1.8	122	502689	1	Step Pin 3.5*16.3
59	502631	1	Trigger Valve Guide	123	502690	1	Pusher Set
60	502632	1	O-Ring 14*1.8	124	502441	1	Housing Label, Left
61	502633	1	Trigger Set	125	502442	1	Housing Label, Right
62	502634	1	Extention Spring	**126	502443	1	Model/ Warning Label
63	502635	1	Releasing Blade	127	502444	2	Name Plate
64	502 636	1	Trigger Spring	128	502692	1	Depth adjustment label
				129	502693	1	Directional label

* Denotes Normal Wear Item

** Make sure Warning Label (502443) is properly affixed. Replace if Necessary. Label Available at no Charge through the Service Parts Dept.

→ Denotes New Change

CS150
502575

