



Washington, DC



Philadelphia, PA



Palm Beach, FL



Canyon Lakes Dam, CA

CHUTES

PATENTED
CONSTRUCTION
DEBRIS
CHUTES

INTERNATIONAL™
DIVISION OF TDR SYSTEMS, INC.

DURACHUTE™ ... Improve Safety and Your Bottom Line

CHUTES

International™ earned its reputation and pioneered the industry with its patented heavy-duty steel debris chute. However, in the early 90's, there was a significant change in the construction industry: from new high rise buildings to renovation and light demolition. This

change called for a lighter-weight debris chute and CHUTES International™ responded.

Initially, we represented and tested plastic debris chutes as manufactured by other leading companies. Unlike any other debris chute company, we rent, install and service, as well as, sell chutes so we have first hand experience of YOUR obstacles and difficulties. After working with other systems, we acquired our own High Density Polyethylene (HDPE) debris chute system to better meet our and YOUR needs.

**CHUTES' DURACHUTE™ is Dependable,
Universal, Resilient and Affordable:**

DEPENDABLE (AND SAFE)

The DURACHUTE™ hardware components are designed with at least 8x safety factors. The system is easy, quick and safe to install, plus CHUTES International's™ expert support team is available to answer any questions or



David Sailor's Photography

National Airport, VA

problems. All in-stock orders are shipped within one business day.

UNIVERSAL

DURACHUTE™ can be used with other plastic chutes. Due to its larger size, it generally needs to be placed beneath the other sections (that's okay-it's made to be tough!). Also, DURACHUTE™ is the

only system that offers a **complete** line to meet your every need: outriggers for window/parapet, flat roof or scaffolding applications, **two** lifting devices (150' or 80' manual winch), protective liners for added durability and dust gaiters to minimize escaping dirt.

RESILIENT

DURACHUTE™, blow-molded of High Density Polyethylene, is thicker than other leading chutes and is formed with top and bottom re-enforcing rings. Finally, our hoppers are made with galvanized steel pans for longer life.



BREWER
EQUIPMENT CO.
SALES DIVISION

WINSTON-SALEM 661-1717
WILMINGTON 392-0057
SOUTHPORT 457-0632
GREENSBORO 292-6737

DURACHUTE™ ... The Ultimate Plastic Chute System.

- ▶ Larger, 32" Inside Diameter
- ▶ Thicker, More Resilient HDPE
- ▶ Complete System For Your Every Need:
Window/Parapet Outrigger
Scaffold Outrigger
Flat Roof Outrigger
- ▶ Safe, Easy, And Quick To Install
- ▶ Pays For Itself In 2 To 3 Uses
- ▶ Extremely Flexible System
- ▶ Can Be Used For:
Roofing
Renovation
New Construction
- ▶ Hardware Is Galvanized
- ▶ Sections Are Telescopic For Ease
Of Storage And Transport
- ▶ Intermediate Intakes Can Be Easily
Placed Anywhere Along Chute



*Straight Section
with Chains*



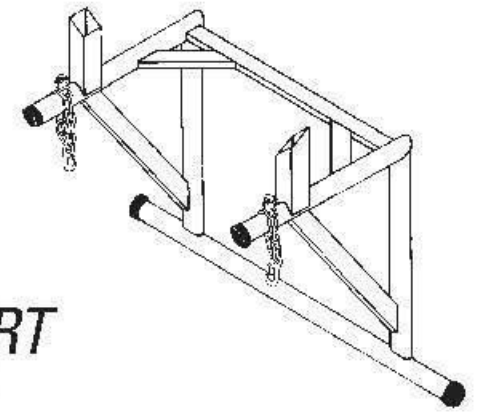
*Intake Hopper
with Retainer Bar*



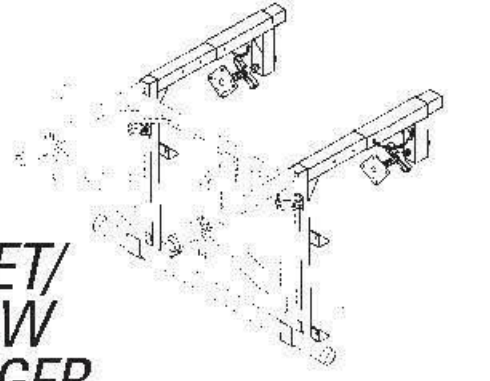
Protective Liner



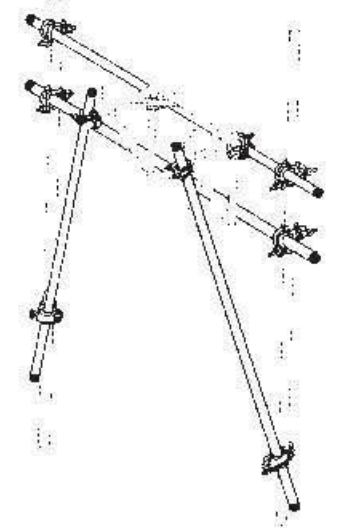
*Positive Chain-Hook
Assembly*



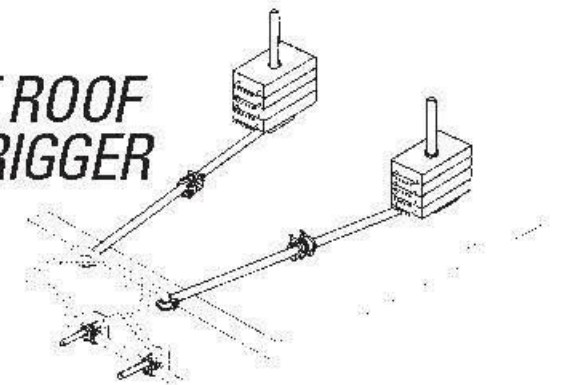
*BASIC
SUPPORT
FRAME*



*PARAPET/
WINDOW
OUTRIGGER*

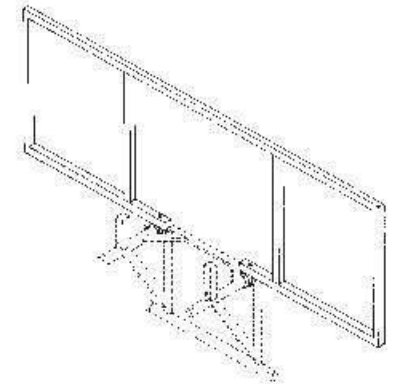


*SCAFFOLD
OUTRIGGER*



*FLAT ROOF
OUTRIGGER*

*FLAT ROOF
SAFETY
FRAME*



*MANUAL
WINCH
(80' or 150')*

